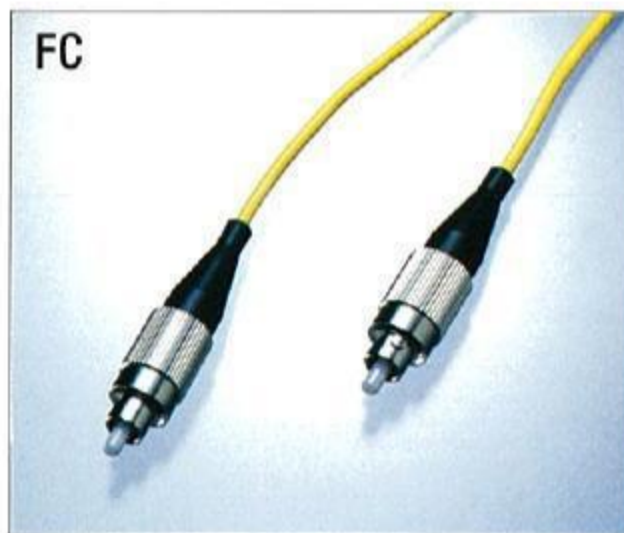
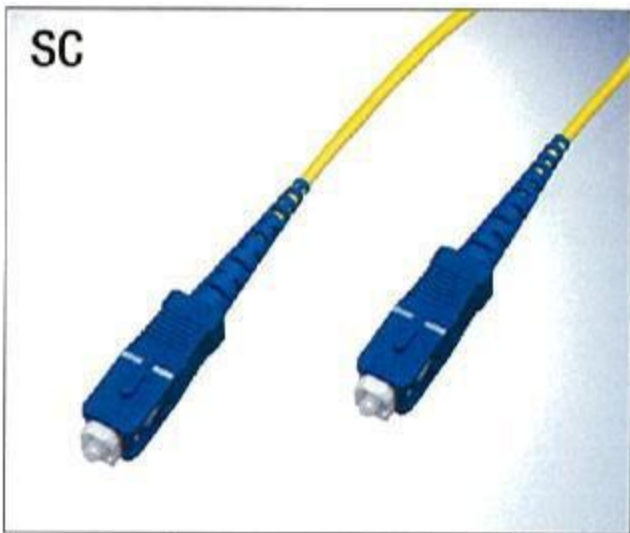
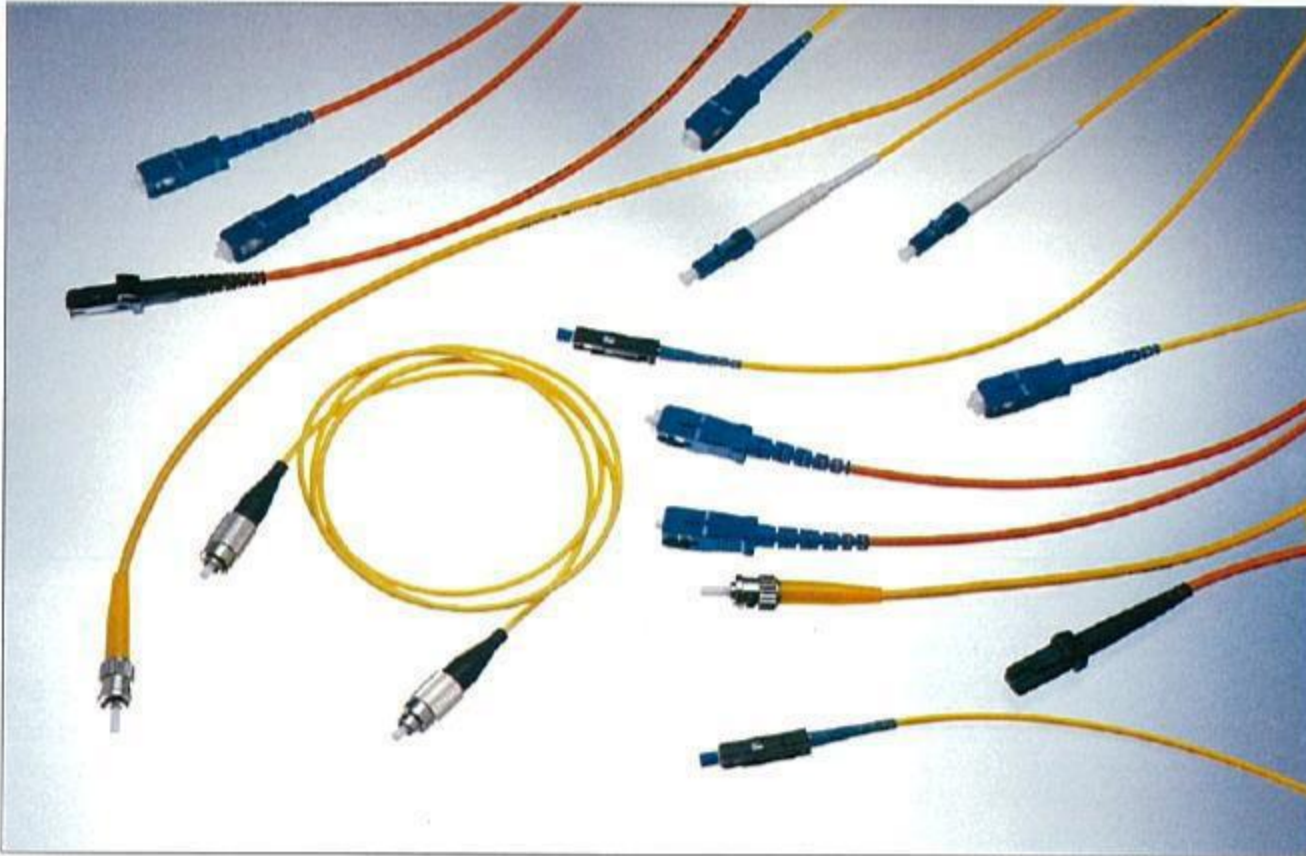


# Patchcords

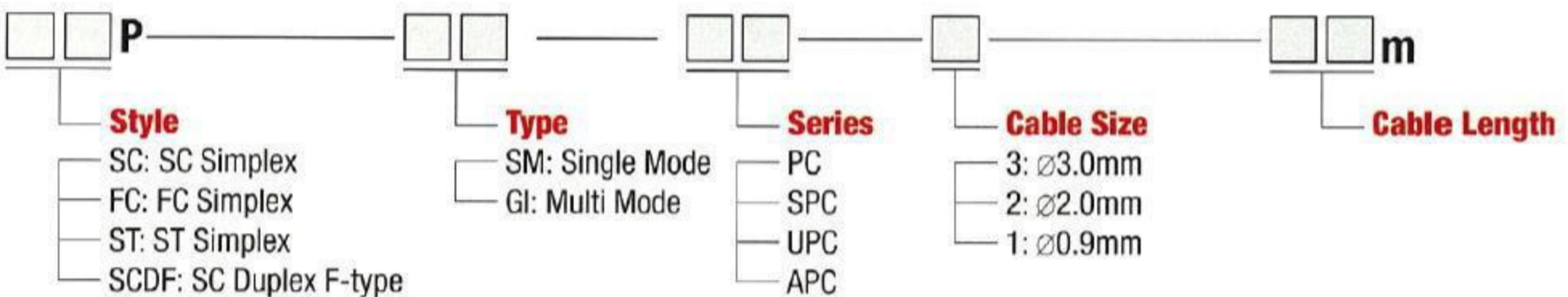


## Specifications

Series	Single Mode (SM)		Multi Mode (GI)	
	Insertion Loss	Return Loss	Insertion Loss	Return Loss
<b>PC</b>	≦ 0.5	25 dB	≦ 0.5	25 dB
<b>SPC</b>	≦ 0.5	40 dB	—	—
<b>UPC</b>	≦ 0.5	50 dB	—	—
<b>APC</b>	≦ 0.5	60 dB	—	—

■ Please ask us about custom specifications.

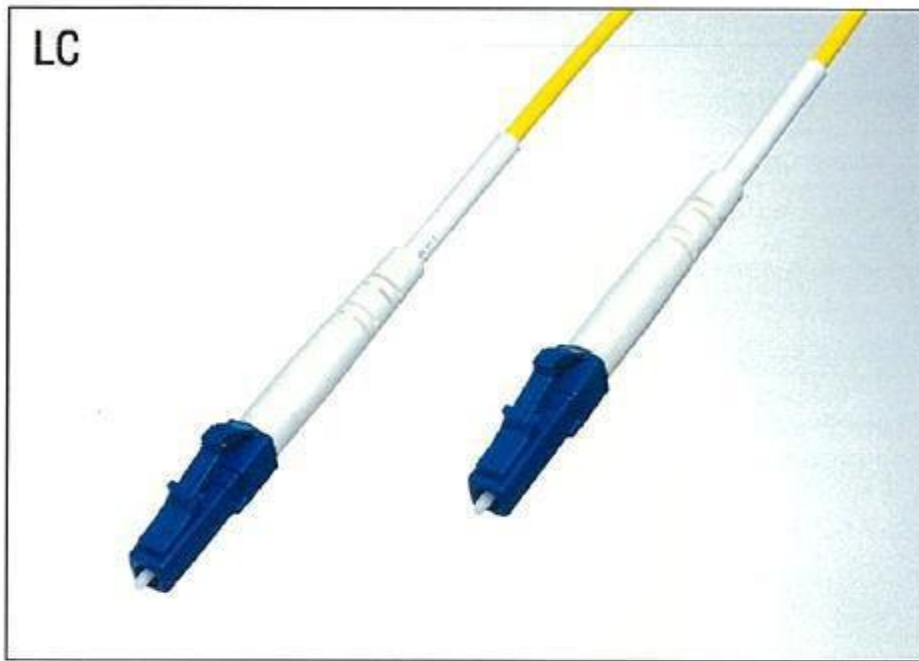
## Ordering Information



**Pacific Rundum Co., Ltd.**  
**OPT Division**

Dynamic Art Kudanshita Bldg., 3F,  
 3-19 Kanda Jimbocho, Chiyoda-ku,  
 Tokyo 101-0051 Japan  
 Tel:+81-3-3511-8611 Fax:+81-3-3511-9914  
[www.rundum.co.jp](http://www.rundum.co.jp)

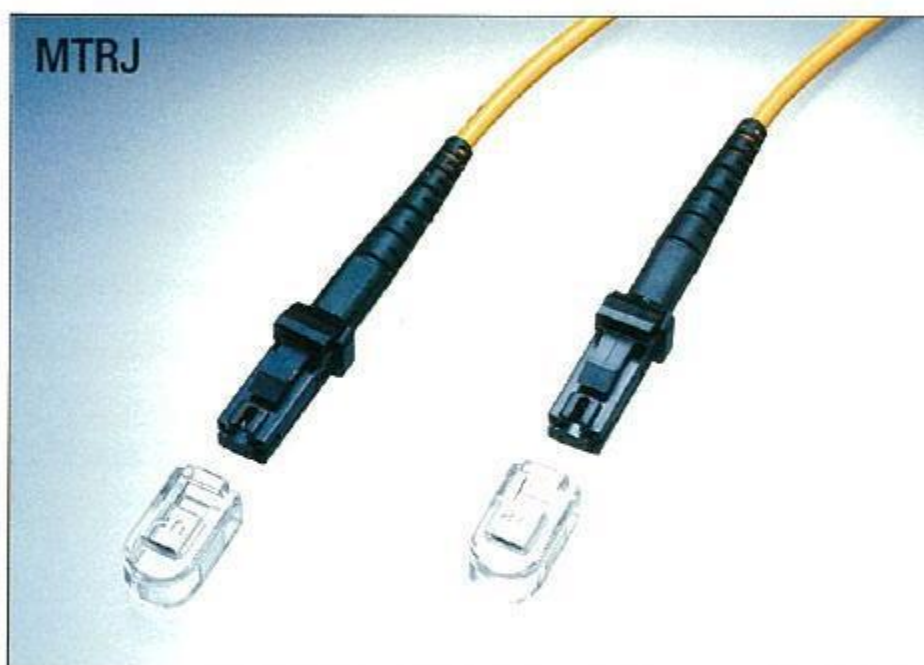
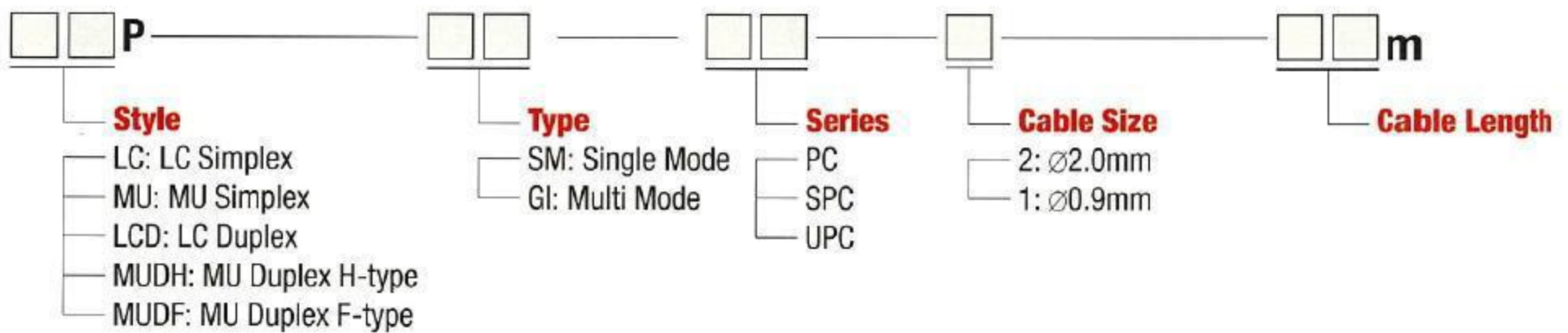




## Specifications

Series	Single Mode (SM)		Multi Mode (GI)	
	Insertion Loss	Return Loss	Insertion Loss	Return Loss
<b>PC</b>	$\leq 0.5$	25 dB	$\leq 0.5$	25 dB
<b>SPC</b>	$\leq 0.5$	40 dB	—	—
<b>UPC</b>	$\leq 0.5$	60 dB	—	—

## Ordering Information



## Specifications

Series	Single Mode (SM)		Multi Mode (GI)	
	Insertion Loss	Return Loss	Insertion Loss	Return Loss
<b>Flat</b>	$\leq 0.75$	26 dB	$\leq 0.75$	20 dB

## Ordering Information

